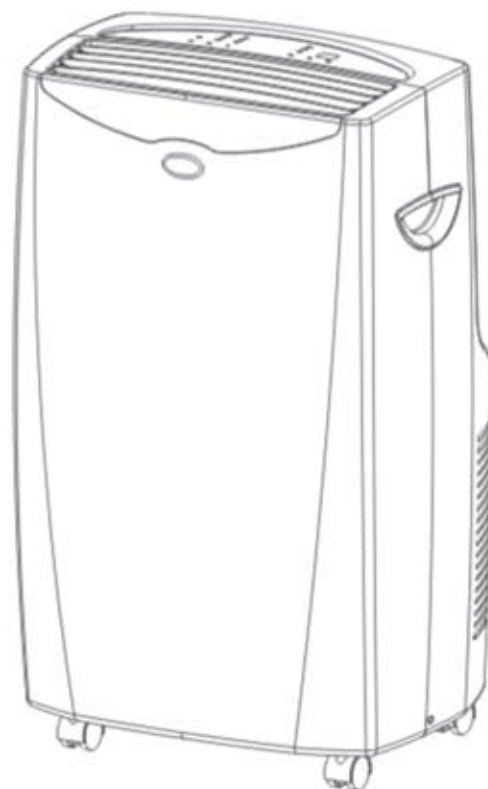


HEAT CONTROLLER, INC.

# **USE AND CARE MANUAL**

## **Portable Air Conditioner PD-91B PD-121B**



# Introduction

---

Thank you for choosing this air conditioner to provide you and your family with all of the "Home Comfort" requirements for your home or office. The appliance can be moved from room to room within your home and set-up in just minutes.

It is a multi-functional room air exchanging, air-processing appliance, designed to offer you the functions of: Air Conditioning, Dehumidifying and Independent Fan.

This manual will provide you with valuable information necessary for the proper care and maintenance for you new appliance. Please take a few moments and read the instructions thoroughly. If properly maintained, your appliance will give you many years of trouble free operation.

## Electrical Specifications

- 1.All wiring must comply with local and national electrical codes and be installed by a qualified electrician. If you have any questions regarding the following instructions, contact a qualified electrician.
- 2.Check available power supply and resolve any wiring problems before installation and operation of this unit.
- 3.For your safety and protection, this unit is grounded through the power cord plug when plugged into a matching wall outlet. If you are not sure whether the wall outlets in your home are properly grounded, please consult a electrician. Do not use plug adapters or extension cords with this unit.

# Warning

Improper handling can cause serious damage to the appliance.  
Read this manual carefully before operating the unit.

Do not wet the housing or control panel.



Do not cover the air outlet while in use.



Do not allow children to play with the controls or drop any objects into the air outlet.



Do not place objects or let any person sit on top of the unit.



Always turn the unit off and remove the power plug from the socket when cleaning.



Do not attempt to remove any part of the casing unless by an authorized technician.



Remove the plug from the socket if the unit is not being used for a long period of time.



Use only the correct power supply AC 115V~60Hz



Do not operate the unit with damaged plug or loose socket.



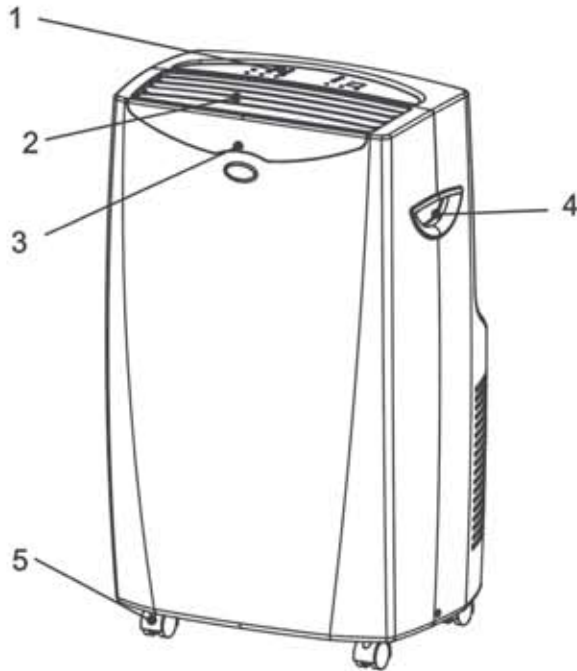
Make sure that the back of the unit is at least 4" or more from a wall.  
Do not place the unit in front of curtains or drapes in case they fall against the back air intake and block the unit's air flow.

## WARNING

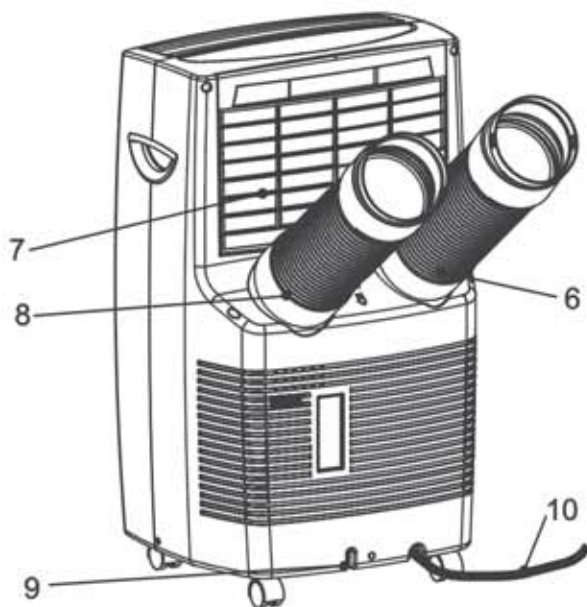
- If the power cord on this unit is damaged it must be replaced by the manufacturer, its service agent or qualified persons in order to avoid a hazard .
- This appliance is not intended for use by children or other persons without assistance or supervision if their physical, sensory or mental capabilities prevent them from using it safely. Children should be supervised to ensure that they do not play with the appliance.

## Identification of parts

### Identification of parts—for Dual Hose Applications

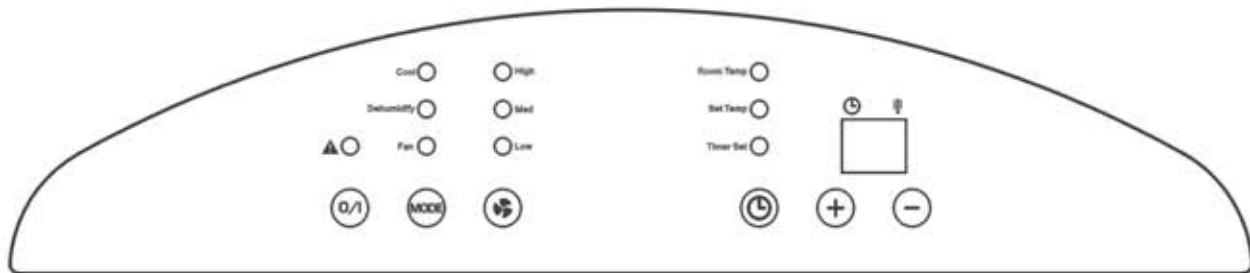


- 1. Control panel
- 2. Air outlet
- 3. Signal receptor
- 4. Handle
- 5. Caster
- 6. Air outlet hose
- 7. Air intake ( Evaporator )
- 8. Air intake hose
- 9. Water outlet drain
- 10. Power supply cord



# Operation

## CONTROL PANEL



### Power Control

The power control turns the unit on and off.

### Warning Light $\blacktriangle$

Condensed water may accumulate in the unit. If the internal tank becomes full, the Warning Light will shine and the unit will not operate until the unit has been drained.

### Mode Control

The Mode Control has three settings:

#### ● Cool ● Dehumidify ● Fan

The settings are adjusted with Mode Control button. A light will indicate which setting is currently being used.

#### ● Cooling Mode

When cool mode is selected, the indicator light will shine green. During the cooling mode the air is cooled and hot air is exhausted to the outside air through the exhaust tube. Adjust fan speed air through the temperature to suit your desired comfort level.

**Note :** The air exchange hoses must vent outside the room when using cool mode.

#### ● Dehumidify Mode

When dehumidify mode is selected, the indicator light will shine orange. Air is dehumidified as it passes through the unit, without being in full cooling mode. The fan will operate in med speed. If room temperature is  $> 79^{\circ}\text{F}$ , fan speed can be adjusted; otherwise fan speed is fixed to "low".

**Note :** The warm air exchange hoses must vent inside the room when using Dehumidify Mode, not outside as it does when cooling. If the unit is vented outside some cooling will occur.

#### ● Fan Mode

When fan mode is selected the indicator light will shine yellow. Air is circulated throughout the room with no cooling.

**Note:** unit does not need to be vented in Fan mode

### Fan Speed Control

The Fan Speed Control has 3 settings: High, Medium, and Low.

### Timer

#### Auto turn off :

With the machine powered on, press timer button to select number of hours you would like the unit to run in air conditioning mode until it automatically shuts off.

#### Auto turn on :

With the machine powered off, press timer button to select number of hours until you would like the unit to automatically start running in air conditioning mode.

### Timer / Temp set controls

- Used for adjusting the timer and thermostat.
- The default display is room temperature.
- In cooling mode, when "+" or "-" button is pressed, the set temperature is displayed and may be adjusted. After 15 seconds the display will revert back to room temperature. Temperature is only adjustable in cooling mode. The time is adjustable between 1-24 hours.  
**Note :** By pressing both "+" / "-" set buttons at the same time, the display will toggle between Celsius and Fahrenheit.

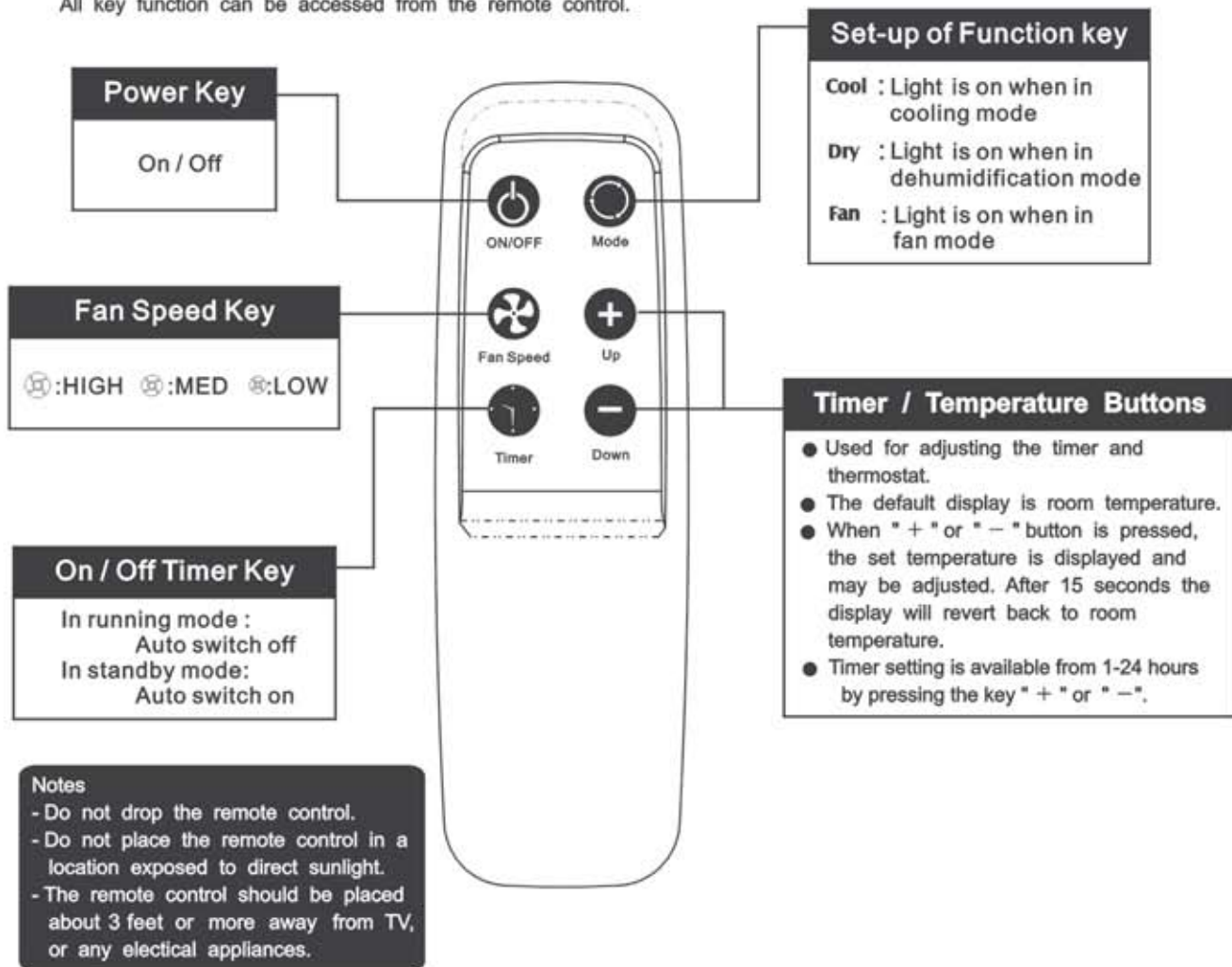
**After switching the air conditioner off, you must wait 3 minutes before switching it back on again.**



# Operation

## Air Conditioner Remote Control

The functions work the same as your air conditioner's touch controls.  
All key function can be accessed from the remote control.



Battery replacement : Remove the cover on the back of the remote control and insert the batteries with the (+) and (-) poles pointing in the proper direction.



### CAUTION

Use only AAA or IEC R03 1.5V batteries.

Remove the batteries if the remote controller is not used for a month or longer.

Do not attempt to recharge the supplied batteries

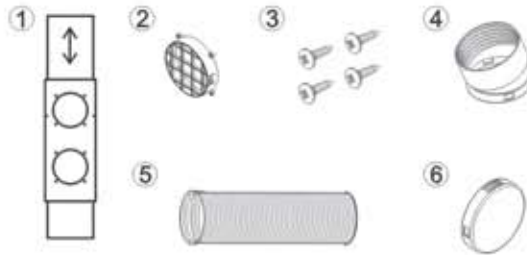
All batteries should be replaced at the same time.

Do not dispose of the batteries in a fire as they may explode.

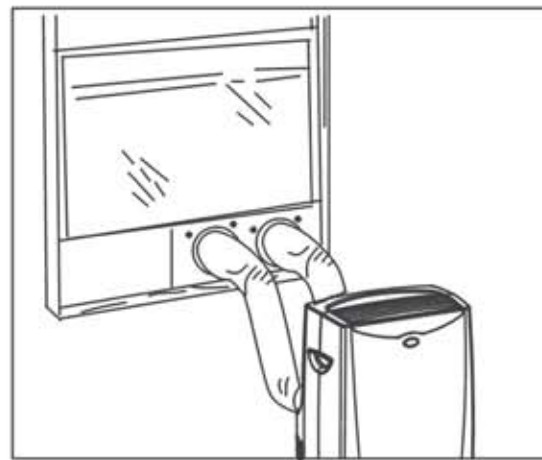
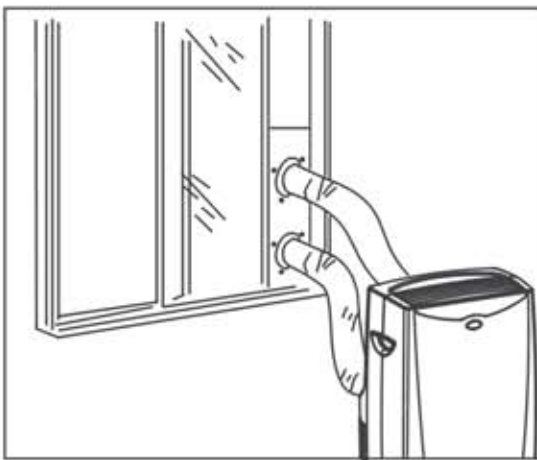
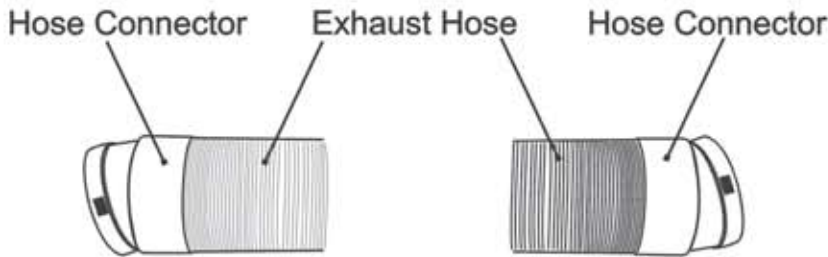
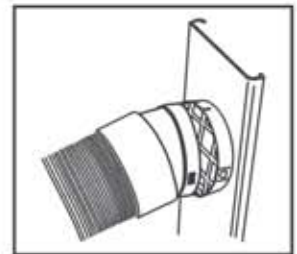
# Installation instructions

## Accessories Include

- 1. Window / Patio door slider kit.... 1 set
- 2. Fixture ..... 2 piece
- 3. Screws ..... 8 pieces
- 4. Heat exhaust hose connector ... 4 pieces
- 5. Heat exhaust hose ..... 2 piece
- 6. Cover ..... 2 piece



- 1. Adjust the plastic panel slider kit to the width or height of your window and tighten the 2 screws that are attached to the panel.
- 2. Push the round window panel adapter through the rear of the plastic panel. Line up the holes and tighten the adapter fixture with 4 screws that are included in the kit. (Tighten screws from the front).
- 3. Install the window plastic panel slider kit into the window. If necessary use duct tape to better secure the panel.
- 4. Connect exhaust hose to the unit by inserting the hose connector that is attached to the hose into the exhaust.
- 5. Move the unit to the window, extend the hose and attach the other end of the hose to the window. Align the tabs on the hose and window panel adapter fixture and fasten them together.



# Troubleshooting

The following cases may not always be a malfunction, please check the troubleshooting table before asking for service.

Problem	Analysis
<b>Unit does not run</b>	<ul style="list-style-type: none"><li>✓ Check if the protector trip or fuse is blown. Please wait for 3 minutes and start again, protector device may be preventing unit to work.</li><li>✓ Check if batteries in the remote controller need to be replaced.</li><li>✓ Check if the plug is not properly plugged into the wall outlet</li></ul>
<b>Unit runs for only a short while</b>	<ul style="list-style-type: none"><li>✓ If the set temperature is close to room temperature, lower the set temperature.</li><li>✓ Air outlet may be blocked by an obstacle. Remove the obstacle.</li></ul>
<b>Unit runs but does not cool</b>	<ul style="list-style-type: none"><li>✓ Check to make sure all doors and windows are closed.</li><li>✓ If the air filter is dirty, please clean it.</li><li>✓ Is the air outlet or intake blocked? Remove all obstacles.</li><li>✓ Is the set temperature too high? Lower the set temperature</li></ul>
<b>Unit does not run and water full indicator light is on</b>	<ul style="list-style-type: none"><li>✓ Drain the water into a prepared container through the drainage pipe on the rear panel of the unit. If still doesn't work, please consult a qualified technician.</li></ul>



# Troubleshooting

## Appliance maintenance

### 1 Cut off the power supply

Turn off the appliance first before disconnecting from power supply



### 2 Wipe with a soft dry cloth.

Use lukewarm water (below 104°F) to clean the appliance is very dirty.



### 3 Never use volatile substance such as gasoline or polishing powder to clean the appliance.



### 4 Never get water into the unit's control panel or electrical components



**Dangerous!**  
Electric shock!

## Air filter maintenance

It is necessary to clean the air filter after using it for about 100 hours. Clean it as follows:

### 1 Stop the appliance and remove the air filter.

Stop the appliance then pull back the air filter



### 2 Clean and reinstall the air filter

If the dirt is conspicuous, wash it with a solution of detergent in lukewarm water. After cleaning, dry it in a shaded, cool place and then reinstall it.



### 3

Clean the air filter every two weeks, especially if the air conditioner operates in an extremely dusty environment.

## Maintenance after using

1. If the appliance will not be used for a long period of time, be sure to pull out the rubber plug of the drain port, in order to drain the water.
2. Keep the appliance running with fan only for about 12 hours on a sunny day to dry the appliance inside and prevent any mold.
3. Power off the appliance and remove the power supply plug from the wall outlet. Then remove the batteries from the remote controller.
4. Clean the air filter and reinstall it.
5. Remove the air hoses and cover the exhaust hole tightly.

# Specifications

- Figures noted, in the contents are for reference only; variation may result due to application in different countries or regions, and shall be based on the best of practical operation.

Description of product	Air Conditioner
Model	PD-91B
Voltage/Frequency	AC115V ~ 60Hz
Input power	950W
Operating cycle	8.0 A
Cooling capacity	9000B.T.U.
Dehumidifying capacity	81 pints/day
Refrigerant	R-22
Timer	24 hour
Air flow volume	270 CFM
Dimensions (W) X(H)X (D)	19.6"X32.7"X16.3"
Weight	72.7 lbs

"Waste electrical products should not be disposed of with household waste. Please recycle where facilities exist. Check with your local authority or retailer for recycling advice."



# Specifications

- Figures noted, in the contents are for reference only; variation may result due to application in different countries or regions, and shall be based on the bast of practical operation.

Description of product	Air Conditioner
Model	PD-121B
Voltage/Frequency	AC115V ~ 60Hz
Input power	1300W
Operating cycle	10.8 A
Cooling capacity	12000B.T.U.
Dehumidifying capacity	101 pints/day
Refrigerant	R-410A
Timer	24 hour
Air flow volume	270 CFM
Dimensions (W) X(H)X (D)	19.6"X32.7"X16.3"
Weight	81.5 lbs.

"Waste electrical products should not be disposed of with household waste. Please recycle where facilities exist. Check with your local authority or retailer for recycling advice."



Design, material, performance data and components  
subject to change without notice.

## HEAT CONTROLLER, INC.

1900 Wellworth Ave., Jackson, MI 49203 • Ph. 517-787-2100 • Fax 517-787-9341

THE QUALITY LEADER IN CONDITIONING AIR

[www.heatcontroller.com](http://www.heatcontroller.com)